

Manufacturer: Rexam Healthcare  
Model: Spring-Loc  
ASTM Type: IIA

Description:

This is a one-piece plastic lug-bayonet closure (Figure 1).

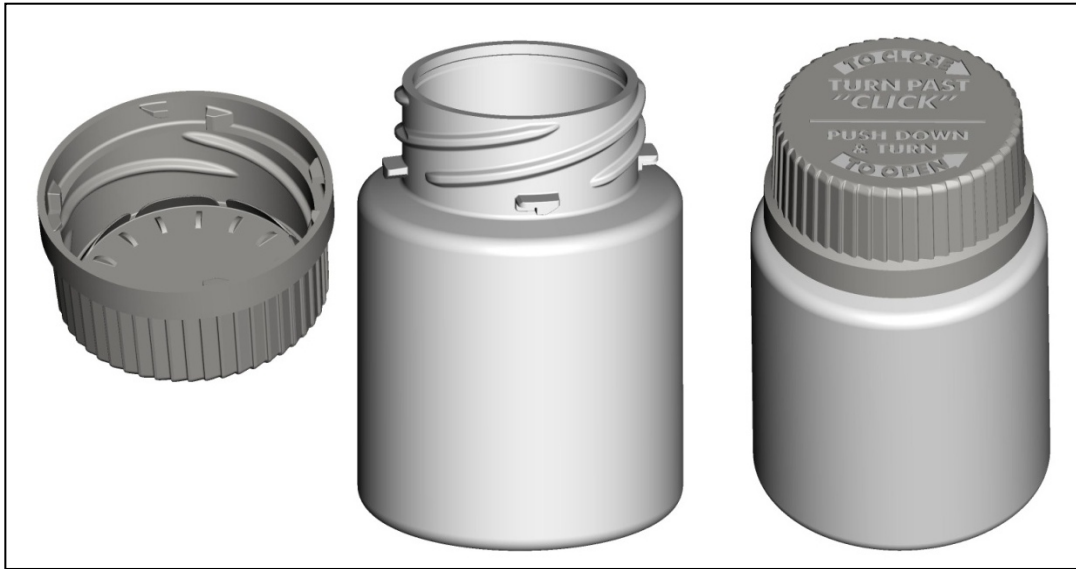


Figure 1

The closure is opened by pushing down on the closure and simultaneously turning it counterclockwise. The interior of the closure has triangular lugs (blue circle in Figure 2) that fit into the “L” shaped bayonets on the container neck (red circle in Figure 2) to keep the package closed.

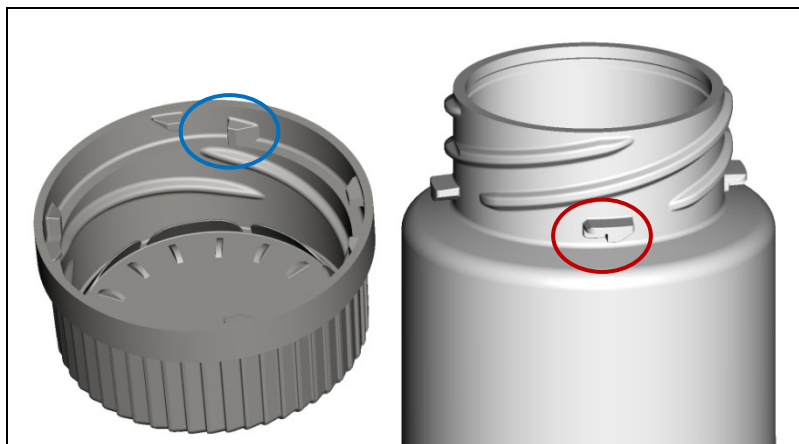


Figure 2

The manufacturer’s instructions on the closure are below (Figure 3):

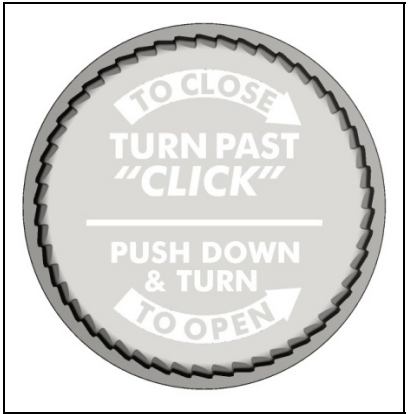


Figure 3

(arrow clockwise) TO CLOSE

TURN PAST  
"CLICK"

(line across the closure)

PUSH DOWN  
& TURN

(arrow counterclockwise) TO OPEN