

Design Criteria

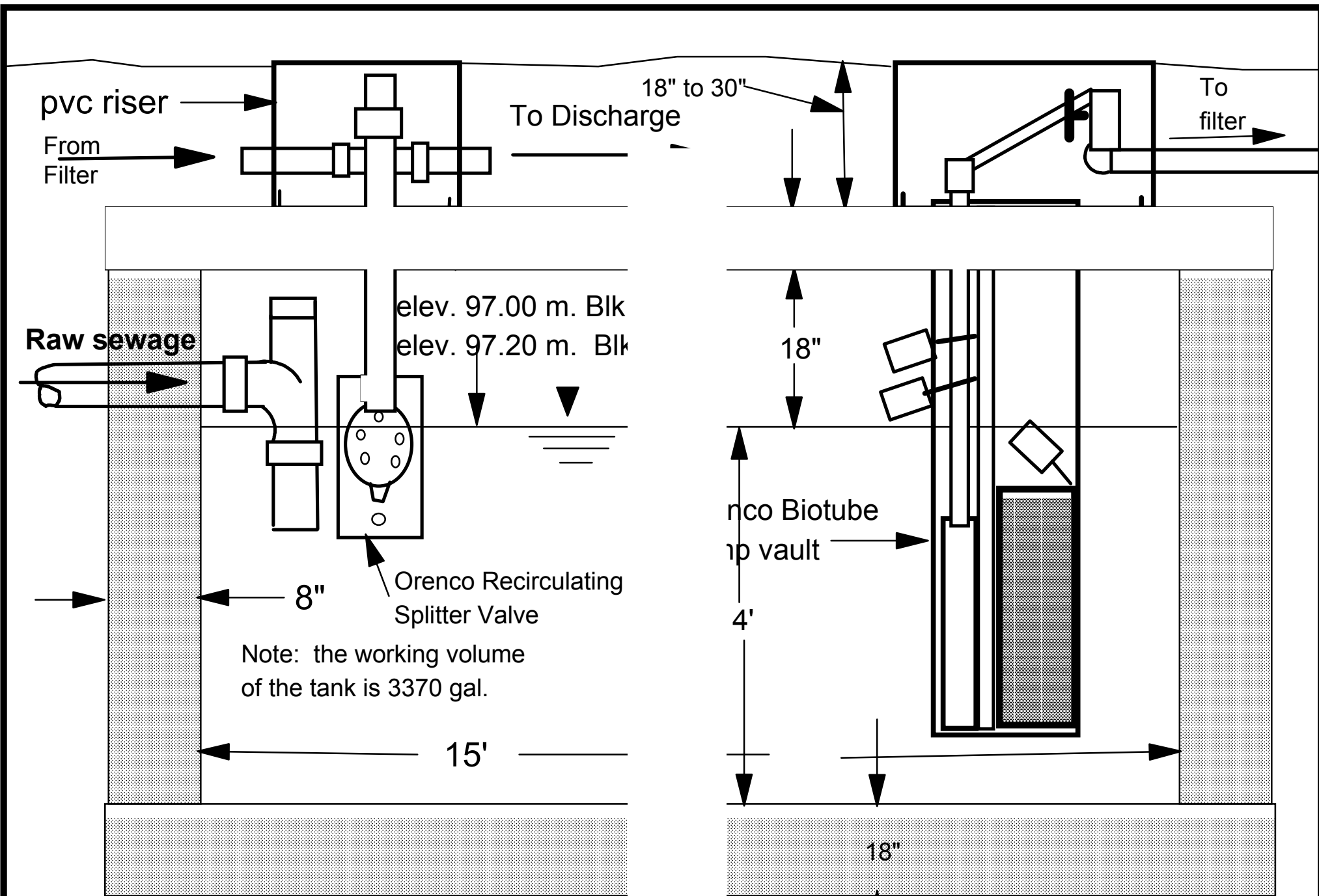
- Treat wastewater for two blocks
- 20 homes per block
- 5 persons per home
- 45 gallons per person

Wastewater Treatment System

- Septic tanks at homes provide primary treatment.
- Recirculating Sand Filter provides secondary treatment.
- Small Diameter Collection line (4-inch diameter PVC)

Pumping Station Design Information

- 24 hour detention time
- 3370 gallon capacity
- Water proof tanks



Pump Station Section

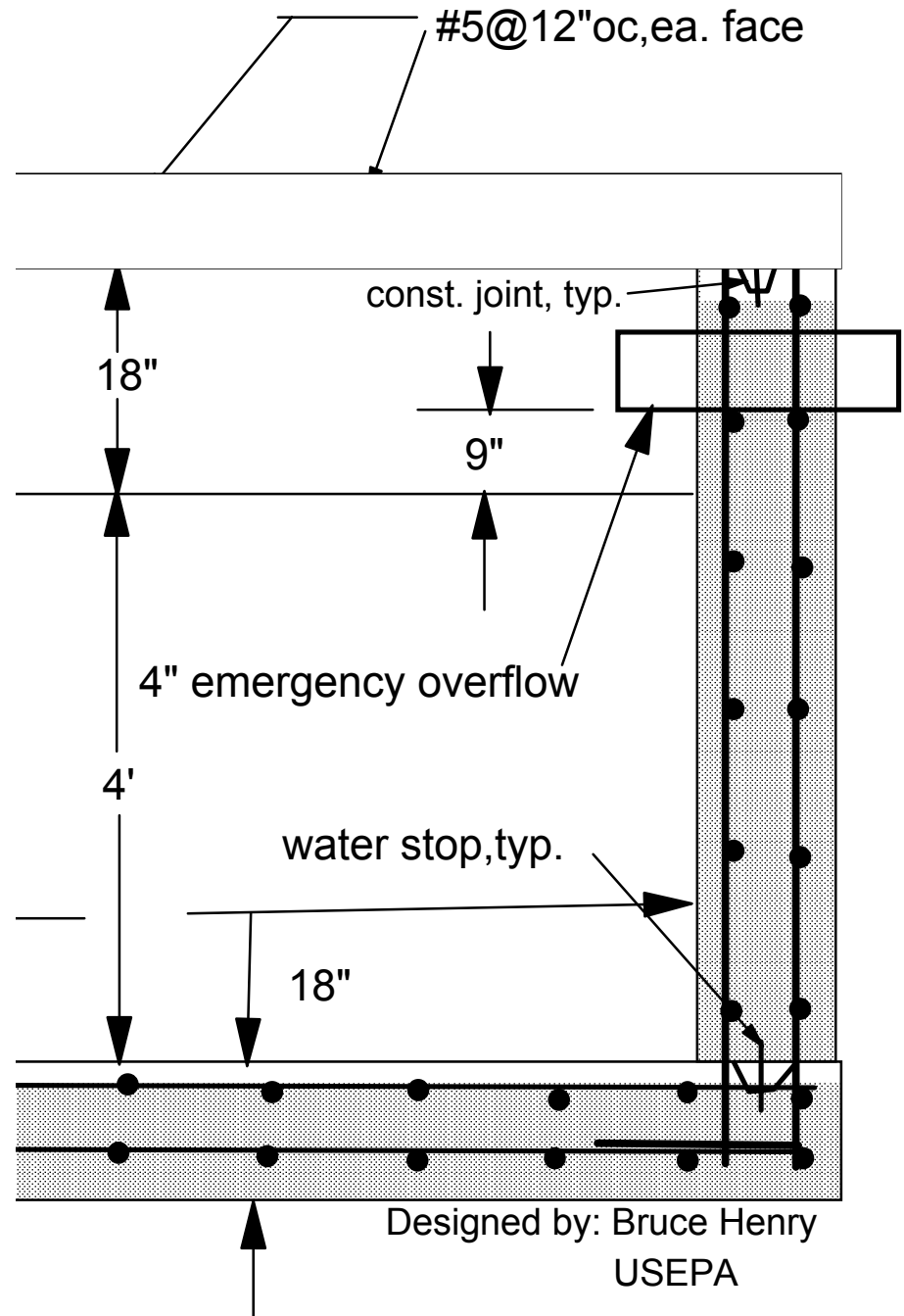
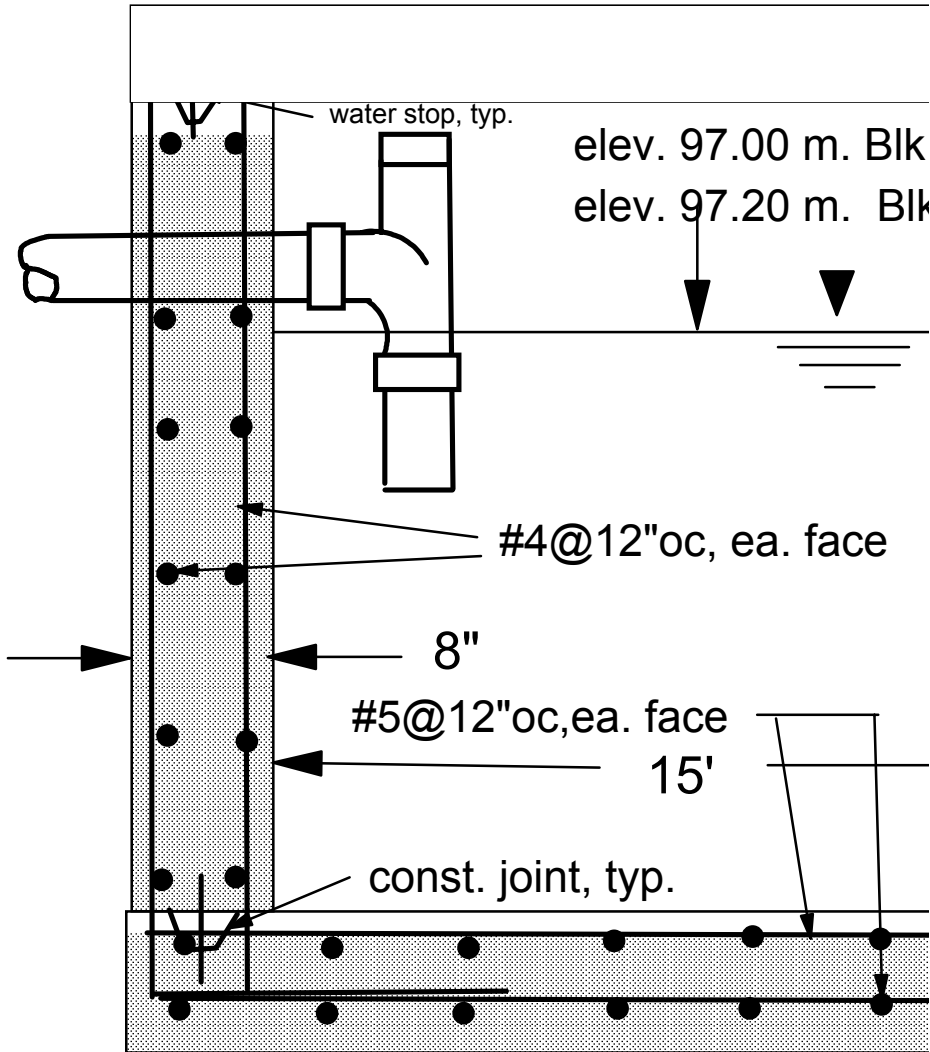
page 3 of 5 3/4"=1'

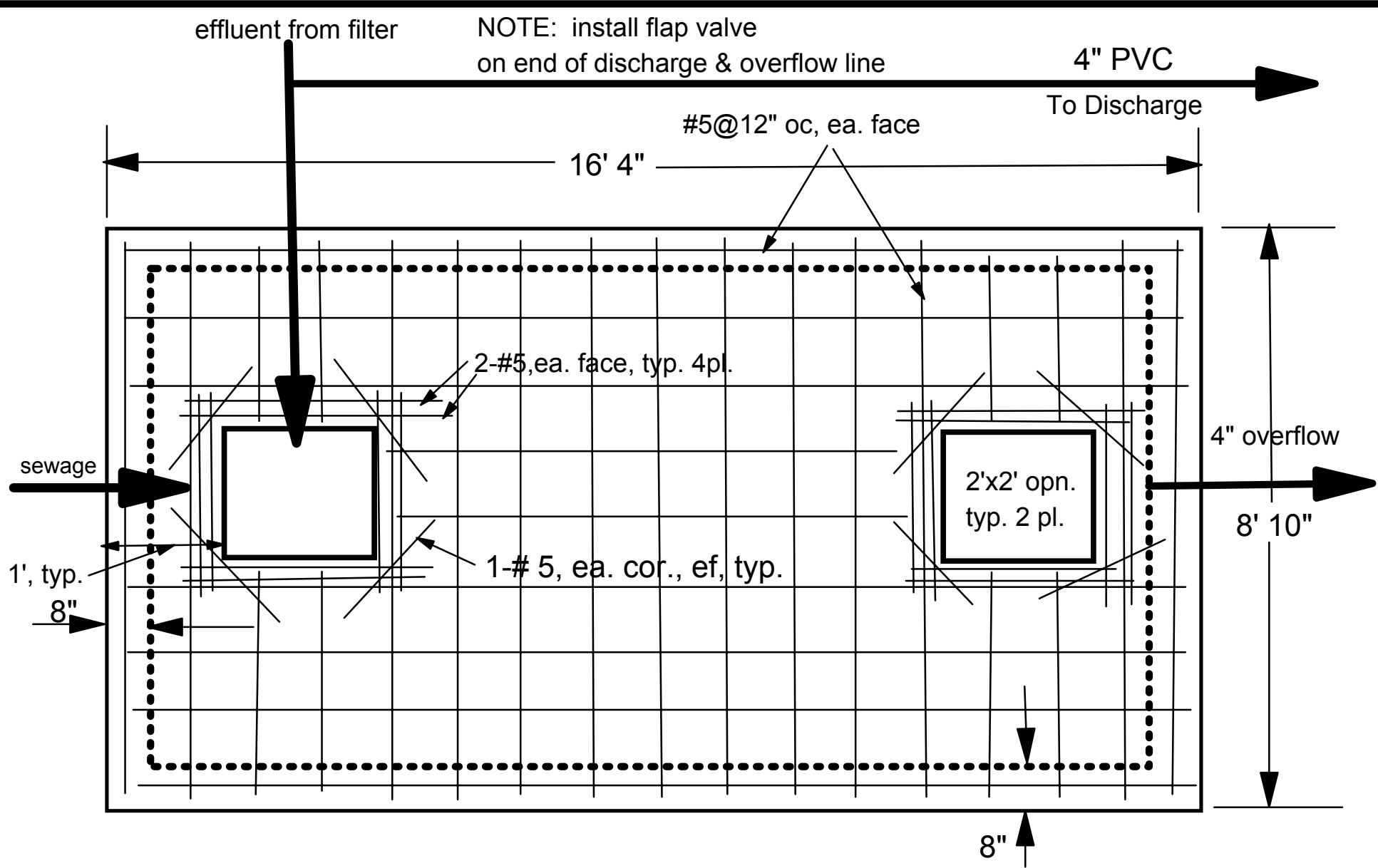
See Oreco DWG. EDA-RSF-RSV-1 & EDW-TD-7

Designed by: Bruce Henry
USEPA

Pump Station Section-structural

3/4"=1'





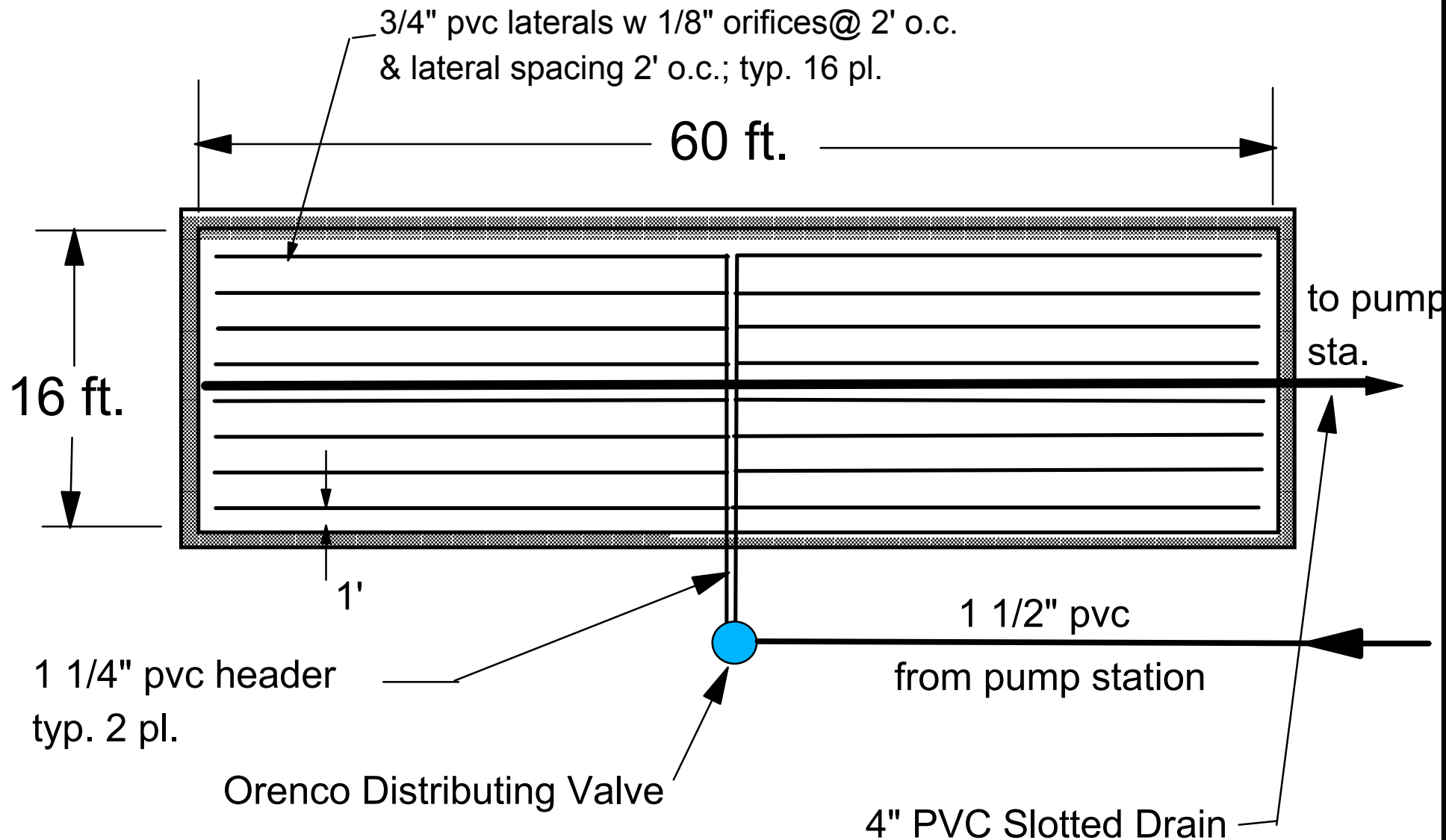
PUMPING STATION - PLAN

Designed by: Bruce Henry
USEPA

1/2"=1'

Recirculating Sand Filter Design Information

- Application rate - 5 gallon per day per square foot
- Each recirculating sand filter has 4800 gallon capacity

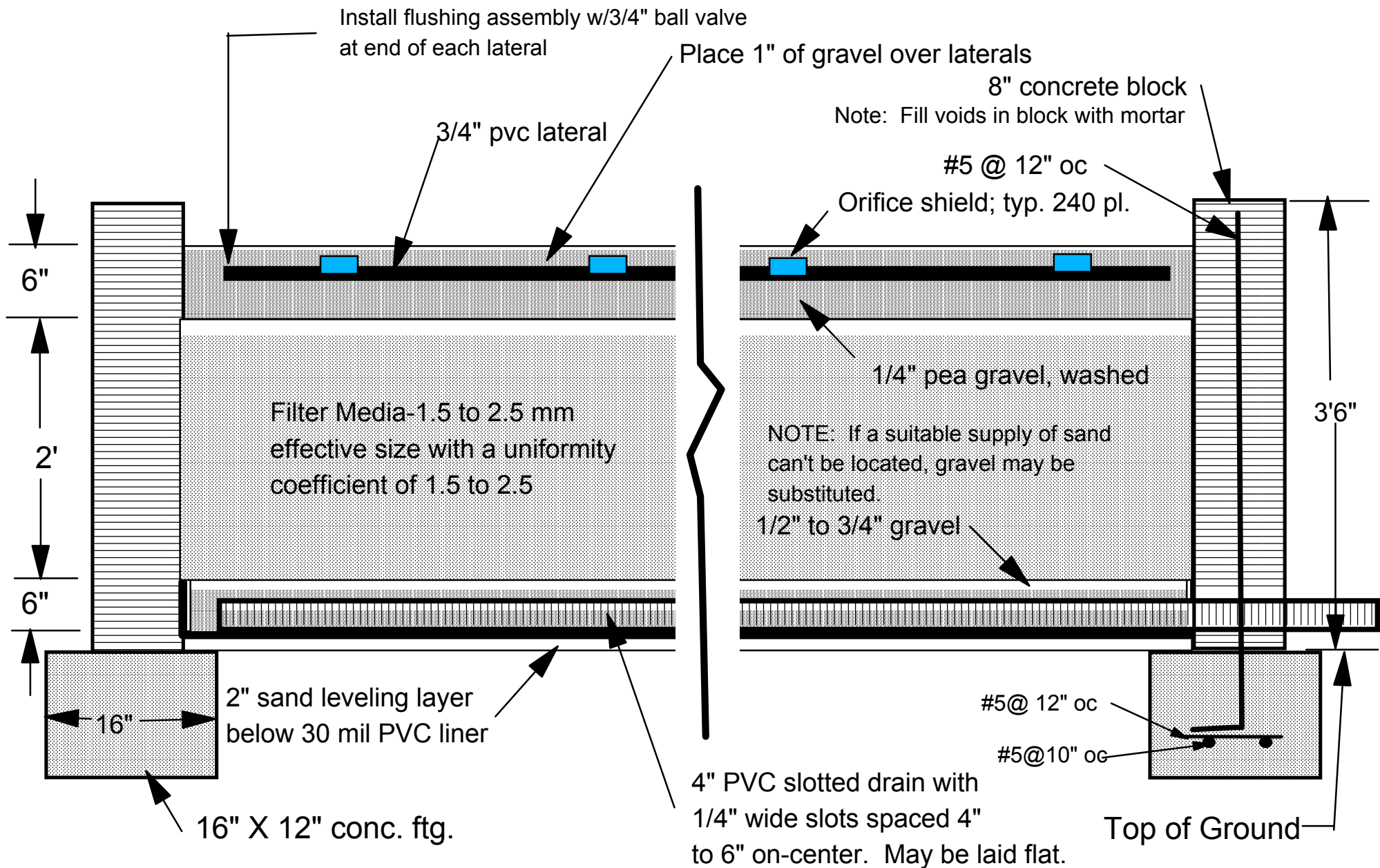


Recirculating Sand Filter Plan

1/8"=1'

page 1 of 5

Designed by: Bruce Henry
USEPA
12/23/98



SIDE ELEVATION-FILTER

1" = 1'

page 2 of 5

Designed by: Bruce Henry

USEPA

12/23/98

See Orenco DWG. 1RSF